

# XMLP030RD23F

Electronic pressure sensors, Pressure sensors XM, transmitter 30 PSI, 4...20 mA, 1/4 18NPT male, FPM, M12



Product availability: Non-Stock - Not normally stocked in distribution facility

Price\*: 114.00 USD



## Main

Range of product	OsiSense XM
Product or component type	Electronic pressure sensors
Pressure sensor type	Pressure transmitter
Pressure sensor name	XMLP
Electrical circuit type	Control circuit
Pressure sensor size	30 Psi (206.84 kPa)
Local display	Without
Current consumption	< 23 mA
Type of output signal	Analogue
Quantity per set	Set of 1
Type of packing	Individual

## Complementary

Pressure setting range	0...30 Psi (0.00...206.84 kPa)
Maximum permissible accidental pressure	109 Psi (751.53 kPa)
Destruction pressure	145 Psi (999.74 kPa)
Materials in contact with fluid	Fluorocarbon FPM Stainless steel AISI 316L Ceramic
Operating position	Any position
Protection type	Reverse polarity Load short-circuit
[Uimp] rated impulse withstand voltage	0.5 KV
Measurement accuracy	+/- 0.5 % of the measuring range
Accuracy	0.1 % of the measuring range
Drift of the sensitivity	+/- 0.02 % of measuring range/°K
Drift of the zero point	+/- 0.02 % of measuring range/°K
Repeat accuracy	+/- 0.25 % of the measuring range
Mechanical durability	10000000 Cycles

Net weight	0.17 Lb(US) (0.075 kg)
Diameter	1.02 In (26 mm)
Length	1.19 In (30.2 mm)

## Environment

Standards	EN/IEC 61326-2-3 NSF ANSI 61
Product certifications	RCM EAC CE cULus
Ambient air temperature for operation	-22...185 °F (-30...85 °C)
Ambient air temperature for storage	-58...212 °F (-50...100 °C)

## Ordering and shipping details

Category	21561 - XMLK,XMLP PRESSURE TRANSMITTERS
Discount Schedule	DS2
GTIN	3389119625951
Nbr. of units in pkg.	1
Package weight(Lbs)	2.65 Oz (75 g)
Returnability	No
Country of origin	CH

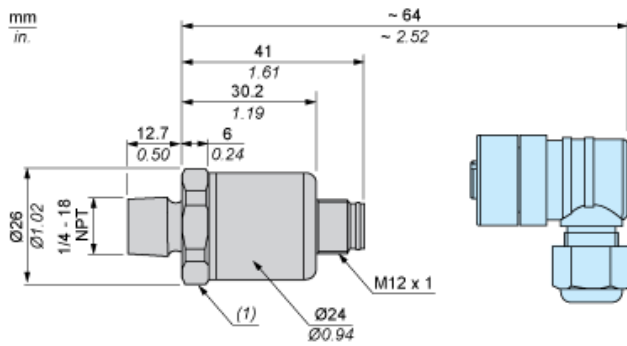
## Packing Units

Unit Type of Package 1	PCE
Package 1 Height	1.61 In (4.1 cm)
Package 1 width	1.77 In (4.5 cm)
Package 1 Length	3.35 In (8.5 cm)

## Offer Sustainability

Sustainable offer status	Green Premium product
California proposition 65	WARNING: This product can expose you to chemicals including: Diisononyl phthalate (DINP), which is known to the State of California to cause cancer, and Di-isodecyl phthalate (DIDP), which is known to the State of California to cause birth defects or other reproductive harm. For more information go to <a href="http://www.P65Warnings.ca.gov">www.P65Warnings.ca.gov</a>
REACH Regulation	<a href="#">REACH Declaration</a>
EU RoHS Directive	Pro-active compliance (Product out of EU RoHS legal scope) <a href="#">EU RoHS Declaration</a>
Mercury free	Yes
RoHS exemption information	<a href="#">Yes</a>
Environmental Disclosure	<a href="#">Product Environmental Profile</a>

Dimensions



(1) SW24 tightening torque  $\leq 25$  N.m / 221 lb-in

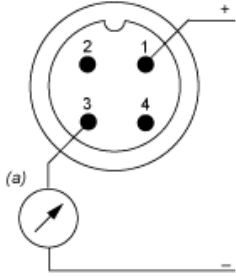
---

Connection and Schema

---

Wiring Diagram

2-Wire Technique (4-20 mA)



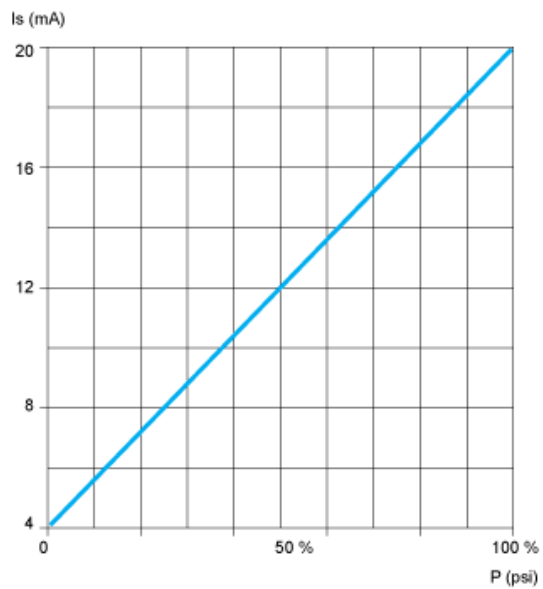
(a) I out

---

Performance Curves

---

Curves



Product Life Status : **Commercialised**